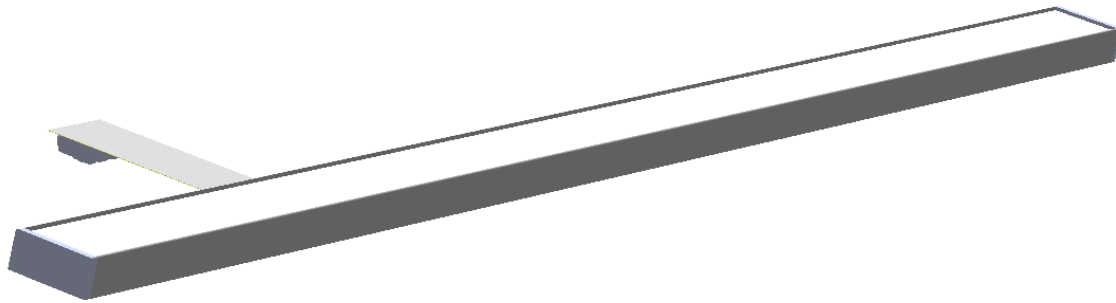


AIRELIGHT LINEAR2 SC 1.0 CHANNEL



AIRELIGHT LINEAR2 SC 1.0 CHANNEL



DESCRIPTION

The Airelight Linear2 SC 1.0 Channel provides a robust solution for surface mounted lighting applications on 15/16" TBAR systems and is also compatible with selected 9/16" TBAR systems(See page 3). Designed to maintain the Airelight™ luminaires' slim profile look, the aluminum profile serves as a compact housing and offers designers 2 - 8' standalone fixture options. The magnetic alignment clips on each Airelight Linear2 SC 1.0 Channel simply align and lock into place, providing for an easy installation and a secure attachment to the T-Bar.

SPECIFICATIONS

Description	Airelight Linear2 SC 1.0 w/ Anodized Aluminum housing (15/16" TBAR)
Color	Light Grey, Black, (Custom colors available with surcharge)
Dimensions	1.03" x 0.42" (W x H)
Length	2' - 8'
Power Consumption	7.2W per foot
Lumens Per Foot	714 @ 5000K / 653 @ 4000K / 638 @ 3500K / 619 @ 3000K / 581 @ 2700K
Efficacy (lms/W)	99 @ 5000K / 91 @ 4000K / 89 @ 3500K / 85 @ 3000K / 80 @ 2700K
CRI	90+ , 80+(5000K CCT)
Interconnect/Cabling	Reinforced flex cabling to plenum: Brings luminaire connection above the grid Plenum Rated / 2POLE PUSHWIRE CONN(16-12AWG)
Warranty	5 Years

Certifications



PRODUCT CODE

Product Line	Width	Length	CCT	CRI	Finish	Attachment
AL2C	- 1.0	- 6'	- 35K	- 90+	- BK	- C0
Airelight Linear2 SC Channel	1.0"	2'-8'	27K 30K 35K 40K 50K	90+ 80+(50K)	BK Black AL Clear Anodized WT White RAL# RAL#	C0 15/16 TBAR C1 9/16 TBAR (Tegular) C2 Gridlock TBAR C3 Axiom Classic

877.298.0092



goldeneyelighting.com

V 1.4

POWER SUPPLY SELECTION

Airelight luminaires require an external DC power supply for operation. Identify total system wattage needed. Order the type and quantity of Class 2, 24VDC Power Supply(s) that meets your requirement.

Power Supply Calculation
 Linear Feet Required x Power Consumption (7.2W) =
 Total System Wattage

e.g. : 12ft x 7.2W = 86.4W (See Table A)

POWER SUPPLY COMPATIBILITY FOR AIRELIGHT® SYSTEM

Total System Wattage	Compatible Power Supply
< 60W	SKU# 62569
< 100W	SKU# 97422
<200W	SKU# 84035

Table A

POWER SUPPLIES

SKU#	Description
84035	Amperor 2X 100W, 24V, 0-10V Dimmable, Class 2, LED Driver
97422	Amperor 100W, 24V, 0-10V Dimmable, Class 2, LED Driver
62569	Amperor 60W, 24V, 0-10V Dimmable, Class 2, LED Driver
59967	Amperor 5W, APP-5WL, Emergency LED Driver
58917	Amperor 10.7W, APP-10.7WL, Emergency LED Driver

CONTROLS (COMPATIBLE WITH MOST LIGHTING CONTROL SYSTEMS VIA 0-10V)

38389	Illumra Wireless Dimmer 20A #E9X-DUV-10VTP	25251	Illumra Dual Rocker Switch #E9T-S2AWH
35129	Illumra Wireless Dimmer 5A #E9X-DUV-10VTP-FX		
83374	Illumra Single Rocker Switch #E9T-S1AWH		

(*)Airelight Luminaires are compatible w/most lighting control systems from Lutron, Hubbel, etc. via 0-10V. For installations that require a wireless interface, the above options are available.

GRID ATTACH OPTIONS (SC CHANNEL)



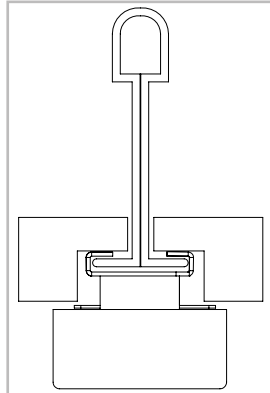
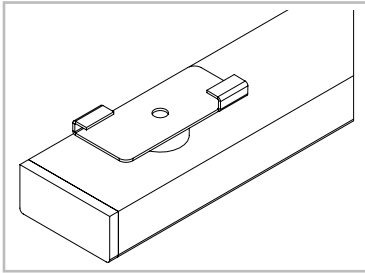
1.0 LINEAR2 SC CHANNEL TO 9/16" TBAR(TEGULAR)

C1

Tegular Panel (9/16")

*Aligns 1.0 Linear2 SC Channel to 9/16" TBAR
w/ Spacer for Tegular Ceiling Tiles
*Available Lengths: 2, 4, 6, 8'

TBAR Swivel Connector (9/16")



1/4" Panel Depth (Square Tegular Ceiling Tiles)
Silhouette XL 9/16" Bolt Slot - 1/8" Reveal
CertainTeed EZ Stab Bolt Slot System - 1/8"
USG DONN Brand Fineline 1/8 DXFF 9/16"
*Inquire about other compatible 9/16th t-bar systems

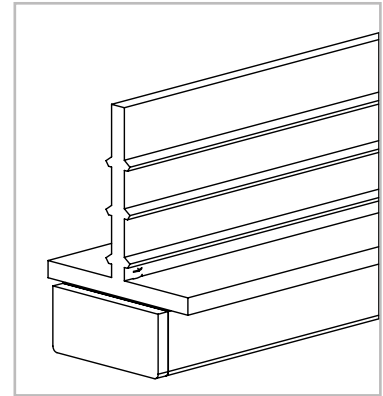
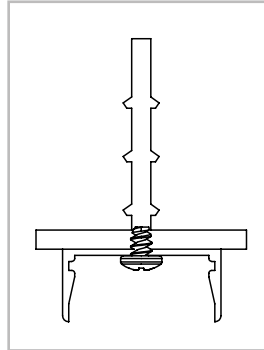
1.0 LINEAR2 SC CHANNEL TO GRIDLOCK TBAR

C2

Gridlock TBAR

*Aligns 1.0 Linear2 SC Channel to Gridlock TBAR
*#6 blunted (3/16") SS screw(s) provided
*Available Lengths: 2, 4, 6, 8'

Drill 3/32"(2.5mm)
pilot hole into TBAR



1/4" Panel Depth (Square Ceiling Tiles)
Gridlock Fiberglass TBAR

C3

Axiom Classic

*Aligns 1.0 Linear2 SC Channel to Armstrong
Axiom Classic Ceilings
*Available Lengths: 2, 4, 6, 8'

