

# AIRELIGHT® LINEAR2 ES 1.0 INSTALLATION INSTRUCTIONS



## Airelight® Pre Install Wiring Notes

- Airelight® Linear luminaires should only be connected to 24V Class II drivers. Use of any other power source will cause damage and may void the warranty.
- Only use 18 AWG stranded wire to connect directly to each luminaire. If larger gauge is used for cable drop, reduce to 18 AWG to each luminaire. Never use solid core wire when connecting to a luminaire.
- Goldeneye® will not be held responsible if the luminaires are not installed according to applicable codes and safety standards.

## Airelight® Wiring to Driver

1. Remove the driver cover.
2. Make wiring connections from 24V Class II driver to luminaire/s. (Reference cable length chart/wiring examples below)
3. Reattach driver cover.

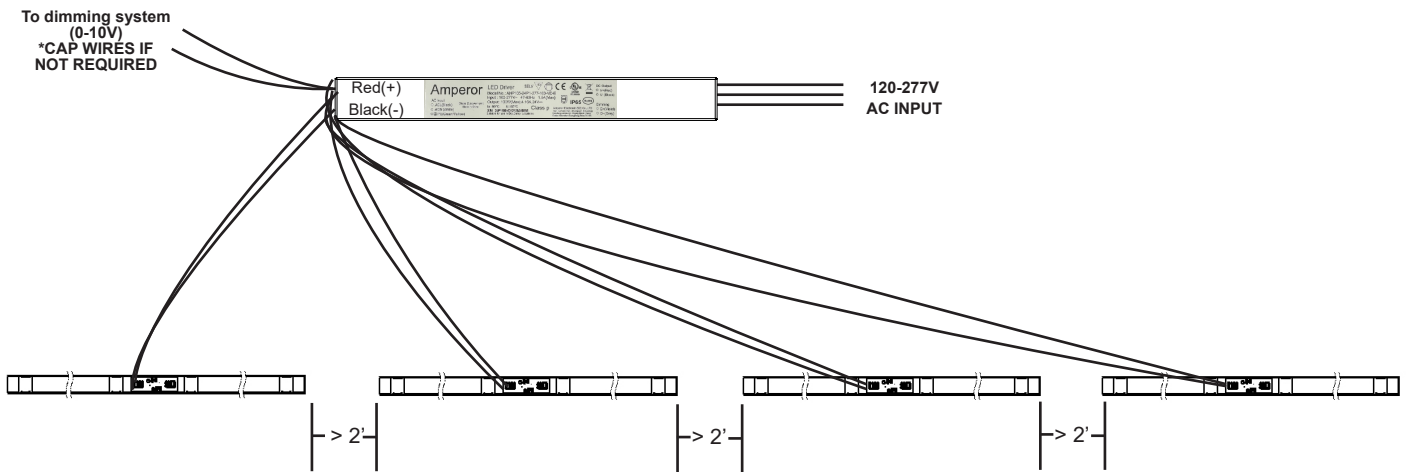
*Recommended Cable Lengths to Minimize Voltage Drop*

Watts (linear ft)	16 (2')	32 (4')	48 (6')	64 (8')	80 (10')	96 (12')
18 AWG	58 ft	29 ft	19 ft	14 ft	12 ft	10 ft
16 AWG	92 ft	46 ft	31 ft	23 ft	18 ft	15 ft
14 AWG	145 ft	73 ft	48 ft	36 ft	29 ft	24 ft
12 AWG	231 ft	116 ft	77 ft	58 ft	46 ft	39 ft

AL2-1.0-SC/ES-xx-xx-xx = 8 Watts/ft

Connect up to 96% of rated power supply  
(Ex: 100W Power Supply: 96W max(12'))

## Wiring Example #1: Airelight® Linear2 1.0s spaced apart (greater than 2' end to end)



## Wiring Example #2: Airelight® Linear2 1.0s mounted end to end (less than 2' end to end)

