

AIRELIGHT® LINEAR2 ES 0.5 INSTALLATION INSTRUCTIONS



Airelight® Pre Install Wiring Notes

- Airelight Linear luminaires should only be connected to 24V Class II drivers. Use of any other power source will cause damage and may void the warranty.
- Goldeneye® will not be held responsible if the luminaires are not installed according to applicable codes and safety standards.
- **Only use 18 AWG stranded wire to connect directly to each luminaire. If larger gauge is used for cable drop, reduce to 18 AWG to each luminaire. Never use solid core wire when connecting to a luminaire.**

Airelight Wiring to Driver

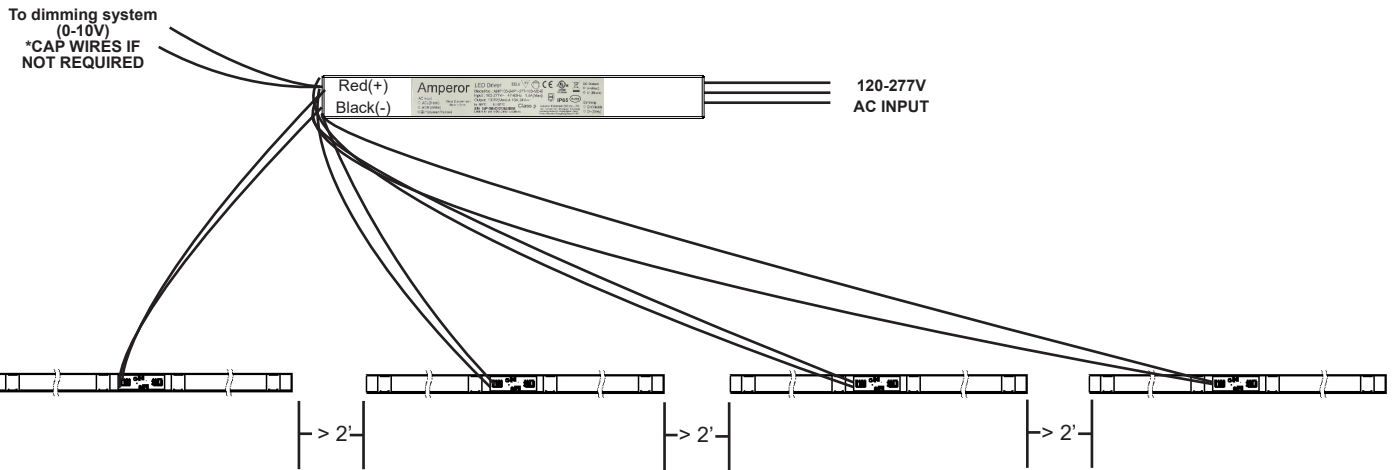
1. Remove the driver cover.
2. Make wiring connections from 24V Class II driver to first luminaire. (Reference cable length chart below)
3. Reattach driver box cover.

**Recommended Cable Lengths to Minimize Voltage Drop*

Watts (ft)	10.6 (2')	21.2 (4')	31.8 (6')	42.4 (8')	53 (10')	63.6 (12')	74.2 (14')	84.8 (16')	95.4 (18')
18 AWG	87 ft	43 ft	29 ft	22 ft	17 ft	14 ft	12 ft	11 ft	10 ft
16 AWG	138 ft	69 ft	46 ft	35 ft	28 ft	23 ft	20 ft	17 ft	15 ft
14 AWG	219 ft	110 ft	73 ft	55 ft	44 ft	37 ft	31 ft	27 ft	24 ft
12 AWG	349 ft	175 ft	116 ft	87 ft	70 ft	58 ft	50 ft	44 ft	39 ft

AL-0.5-SC/ES-xx-xx-xx = 5.3 Watts/ft

Wiring Example #1: Airelight Linear2 0.5s spaced apart (greater than 2' end to end)



Wiring Example #2: Airelight Linear2 0.5s mounted end to end (less than 2' end to end)

