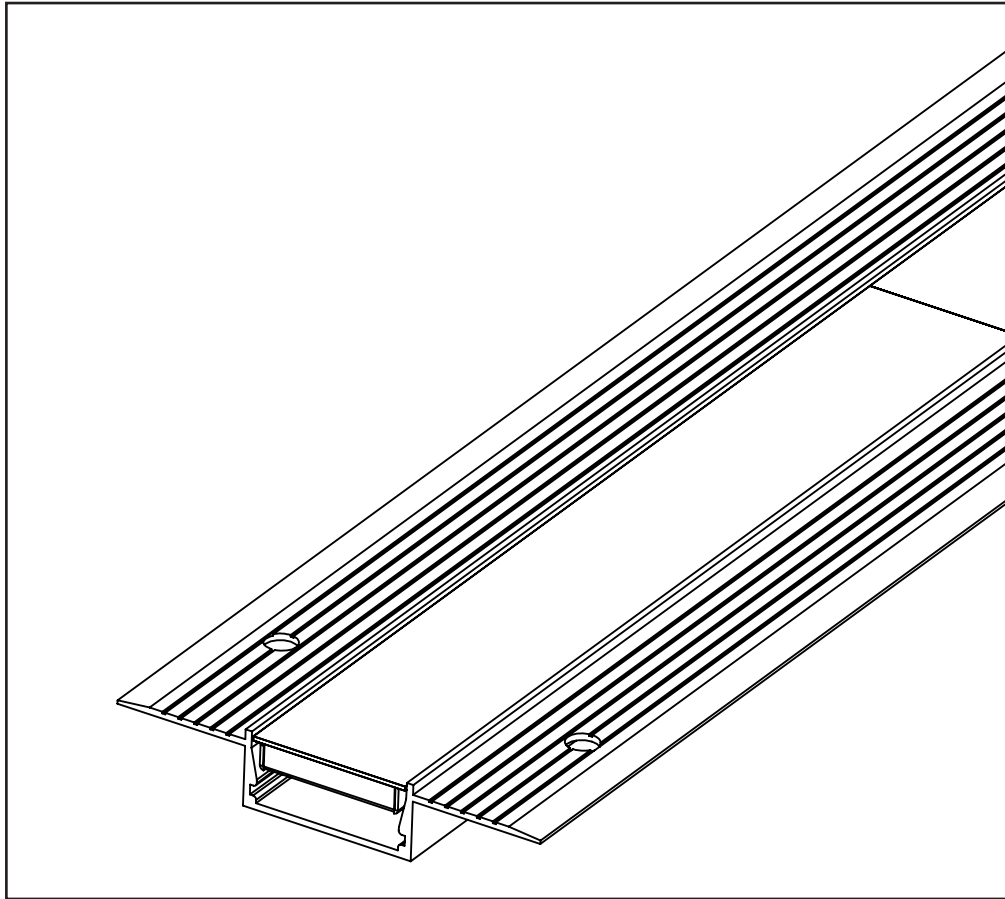


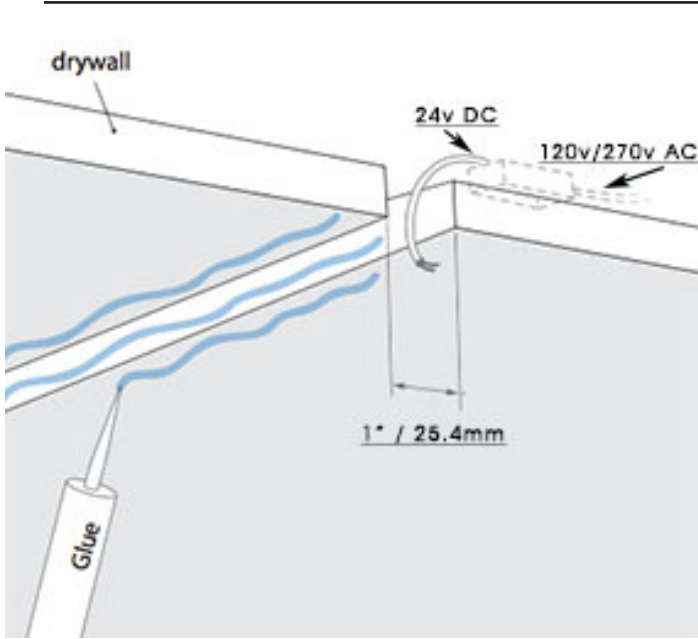
Instructions
for Mud-in Snap Channel with
Airelight Linear ES 0.5/1.0



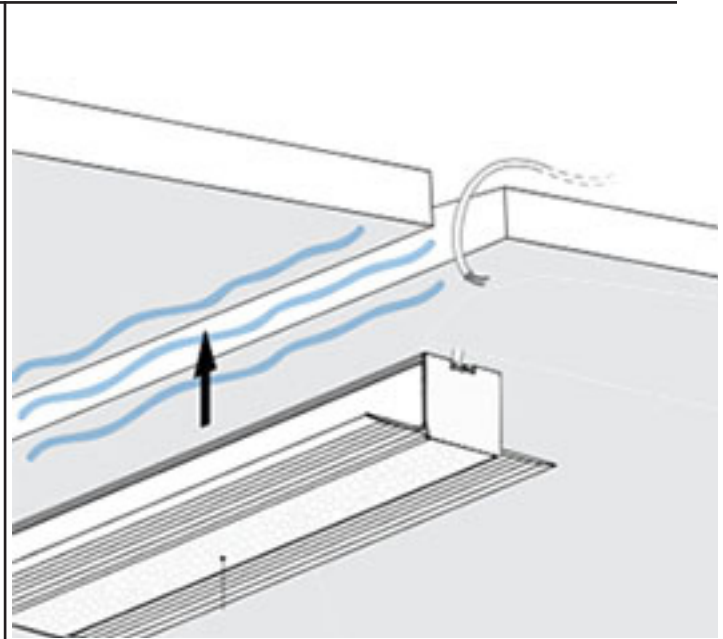
Tale of Contents

Installing Mud-in Channel.....	p.2
Installing Airelight Linear.....	p.4

Installing Mud-in Snap Channel

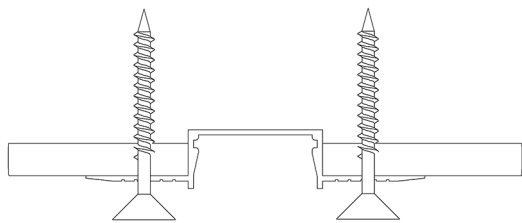


1. Cut a 1" wide slot along the drywall surface and apply gypsum adhesive to sides and edges of mounting surface.



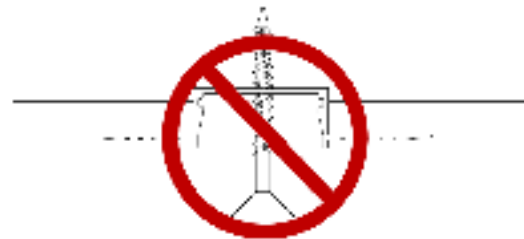
2. Press mud-in channel into slot and allow adhesive to set.

Install Note: 1/2



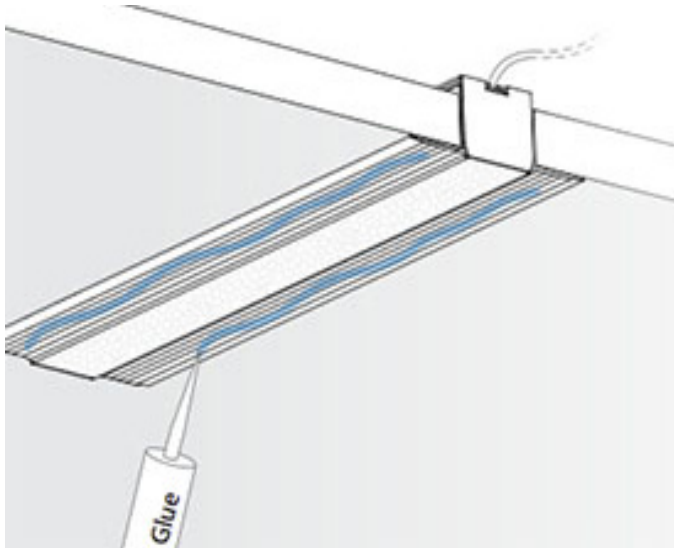
Optional:
When dry-wall screws are used, they should only be fastened through the channel flaps. (See image above)

Install Note: 2/2

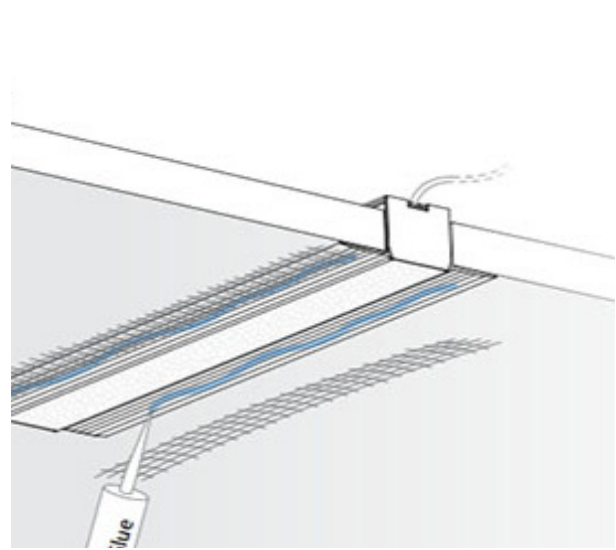


Do Not:
If dry-wall screws are used, DO NOT fasten through the center of the channel). This can distort the dimensions of the channel, interfering with the attachment of the luminaire into the channel.

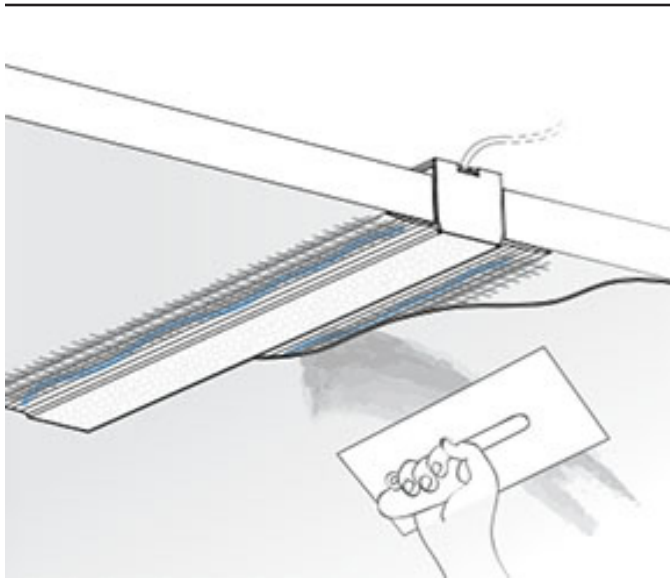
Installing Mud-in Snap Channel



3. Apply adhesive to channel flaps



4. Press drywall mesh on to channel flaps



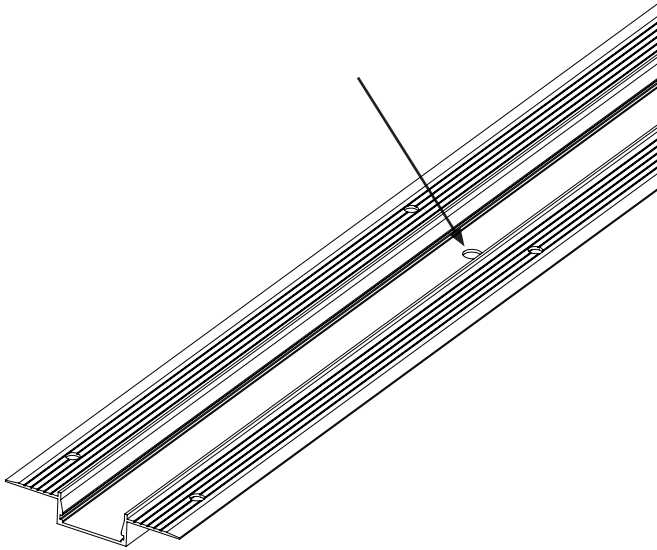
5. Apply plaster over flaps. Allow to dry.

Installation: Mud-in Snap Channel(Linear ES .05/1.0)



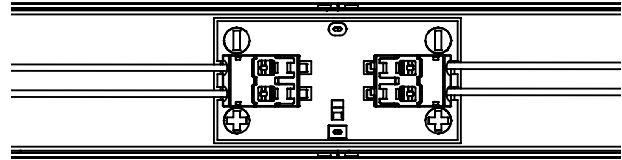
Installing Airelight™ Linears

1. Drill & deburr hole for input power cable in embedded channel. Hole should be approx. 3" from the center of the first Airelight in the run.
**Deburr hole is necessary to prevent shorting



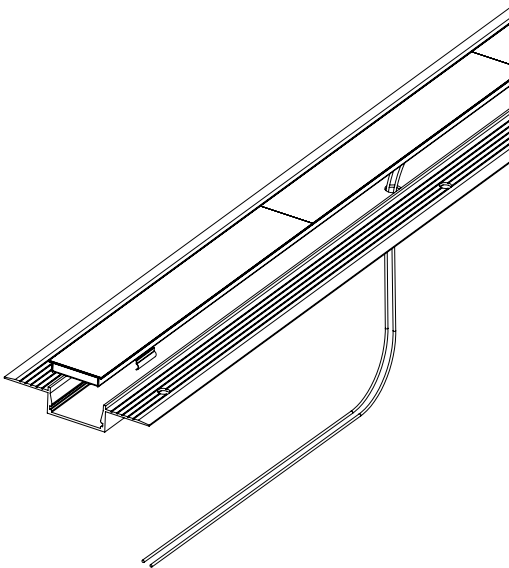
2. Insert power cable and jumper harness (for additional luminaires) into Airelight connector, taking care to match +/- polarity.

Warning: Only use 18awg/stranded wire when connecting to Airelight Luminaires.



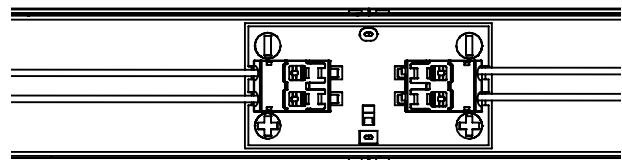
Install Note: Reference Airelight Install Guidelines for cable recommendations to avoid voltage drop from driver. When using larger than 18awg wire from driver, switch to 18awg when connecting to Airelight Linear.

3. Feed power cable through hole and position Airelight into channel using snap clips to secure in place.

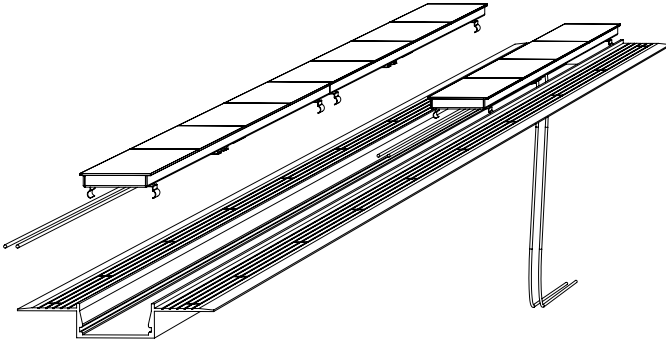


4. Connect jumper harness to next Airelight in run. If another Airelight follows, insert additional jumper harness.

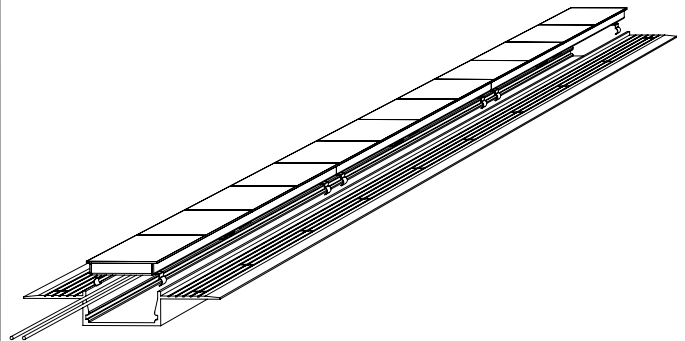
Warning: Only use 18awg/stranded wire when connecting to Airelight Luminaires.



5. Position next Airelight into channel with jumper harness in gap between attachment clips.



6. Gently pushing down above attachment clips, press Airelight into channel. Check fit to make sure Airelight is set evenly in the channel



7. Repeat steps 4-6 as required until installation is complete.

