

# AIRELIGHT LINEAR2 SC 1.0 (15/16" T-BAR)



AIRELIGHT LINEAR2 SC 1.0 (15/16" T-BAR)



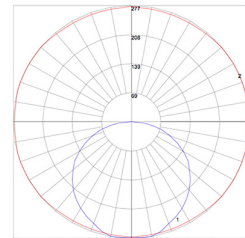
Description: The Airelight Linear2 SC 1.0 for T-bar grid ceilings adds enhanced "pixel free" optics to it's environmentally sustainable (No Plastics) design. Constructed of earth conscious materials with an ultra-slim/light weight profile, Airelight Linear2 luminaires attach directly to the T-Bar grid with integrated magnetic connectors.

Airelight Linear2 luminaires can be installed individually or linked continuously. The output Airelight luminaires provide are completely lambertian, which assures even distribution of light over large and small areas.

Airelight LED Ceramic Luminaires are 100% recyclable, made with only sustainable, non-toxic "Red List Free" components. Their compact minimalist design reduces "end-of-life" waste.

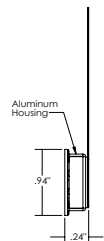
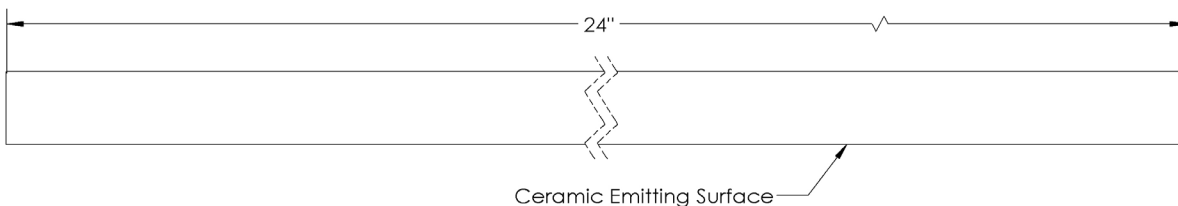
## SPECIFICATIONS

|                         |   |
|-------------------------|---|
| Color Temperature (CCT) | 5000K, 4000K, 3500K, 3000K, 2700K   |
| Beam Angle              | Lambertian  |
| Max Fixture Run Length  | 12' with Adjustable 24VDC 100W Power Supply; Unlimited with Additional Power Supplies or POE Channels                             |
| Power Consumption       | 7.2W per foot   |
| Lumens Per Foot         | 714@5000K / 653 @ 4000K / 638 @ 3500K / 619 @ 3000K / 581 @ 2700K   |
| Efficacy (lms/W)        | 99@5000K / 91 @ 4000K / 89 @ 3500K / 85 @ 3000K / 80 @ 2700K  |
| CRI                     | 90+ , 80+(5000K CCT)  |
| Available Lengths       | 24" (Custom lengths: 8", 12", 16", 20")   |
| Interconnect/Cabling    | Flex cabling to plenum: Brings luminaire connection above the grid<br>Plenum Rated 2-18 AWG Stranded Insulated Wire(not included) |
| Operating Temperature   | -10°F to 115°F / -23°C to 46°C  |
| Operating Voltage       | 24VDC   |
| Dimming                 | 1-100% via Compatible Low Voltage PWM or 0-10V  |
| Rating                  | Dry/Damp Rated  |
| Warranty                | 5 Years   |
| Weight                  | 1.0oz/ft (98g/m)  |
| Dimensions              | W .94" x H 0.24" x L 24"  |



Photometric Data:  
\*Perfectly lambertian output

Certifications

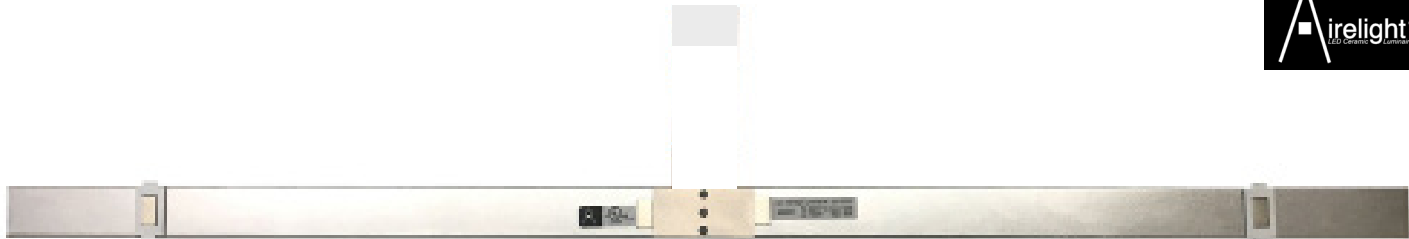


877.298.0092



goldeneyelighting.com

V 1.4



## ORDER CODES

| Product Line      | Width        | Model       | Length                  | Attachment                           | CCT                             | CRI                 |
|-------------------|--------------|-------------|-------------------------|--------------------------------------|---------------------------------|---------------------|
| <b>AL2</b>        | - <b>1.0</b> | - <b>SC</b> | - <b>24</b>             | - <b>M (15/16")</b>                  | - <b>40K</b>                    | - <b>90+</b>        |
| Airelight Linear2 | 1.0"         | SC          | 24"<br>16"<br>12"<br>8" | M (15/16")<br>Magnet<br>(Steel Tbar) | 27K<br>30K<br>35K<br>40K<br>50K | 90+<br>80+(50K CCT) |

## POWER SUPPLY SELECTION

Airelight luminaires require an external DC power supply for operation. Identify total system wattage needed. Order the type and quantity of Class 2, 24VDC Power Supply(s) that meets your requirement.

Power Supply Calculation  
 Linear Feet Required x Power Consumption (6.0W) =  
 Total System Wattage

e.g. : 12ft x 7.2W = 86.4W (See Table A)

### POWER SUPPLY COMPATIBILITY FOR AIRELIGHT® SYSTEM

| Total System Wattage | Compatible Power Supply |
|----------------------|-------------------------|
| < 60W                | SKU# 62569              |
| < 100W               | SKU# 97422              |
| <200W                | SKU# 84035              |

Table A

## POWER SUPPLIES

| SKU#  | Description   |
|-------|---|
| 84035 | Amperor 2X 100W, 24V, 0-10V Dimmable, Class 2, LED Driver |
| 97422 | Amperor 100W, 24V, 0-10V Dimmable, Class 2, LED Driver    |
| 62569 | Amperor 60W, 24V, 0-10V Dimmable, Class 2, LED Driver     |
| 59967 | Amperor 5W, APP-5WL, Emergency LED Driver                 |
| 58917 | Amperor 10.7W, APP-10.7WL, Emergency LED Driver           |
|       |   |
|       |   |
|       |   |

## CONTROLS (COMPATIBLE WITH MOST LIGHTING CONTROL SYSTEMS VIA 0-10V)

|       |  |       |                                       |
|-------|--|-------|---------------------------------------|
| 38389 | Illumra Wireless Dimmer 20A #E9X-DUV-10VTP   | 25251 | Illumra Dual Rocker Switch #E9T-S2AWH |
| 35129 | Illumra Wireless Dimmer 5A #E9X-DUV-10VTP-FX |       |                                       |
| 83374 | Illumra Single Rocker Switch #E9T-S1AWH      |       |                                       |

(\*)Airelight Luminaires are compatible w/most lighting control systems from Lutron, Hubbel, etc. via 0-10V. For installations that require a wireless interface, the above options are available.

# AIRELIGHT LINEAR2 SC 1.0 INSTALLATION INSTRUCTIONS



## Airelight Pre Install Wiring Notes

- Airelight Linear luminaires should only be connected to 24V Class II drivers. Use of any other power source will cause damage and may void the warranty.
- Only use 18 AWG stranded wire to connect directly to each luminaire. If larger gauge is used for cable drop, reduce to 18 AWG to each luminaire. Never use solid core wire when connecting to a luminaire.
- Goldeneye will not be held responsible if the luminaires are not installed according to applicable codes and safety standards.

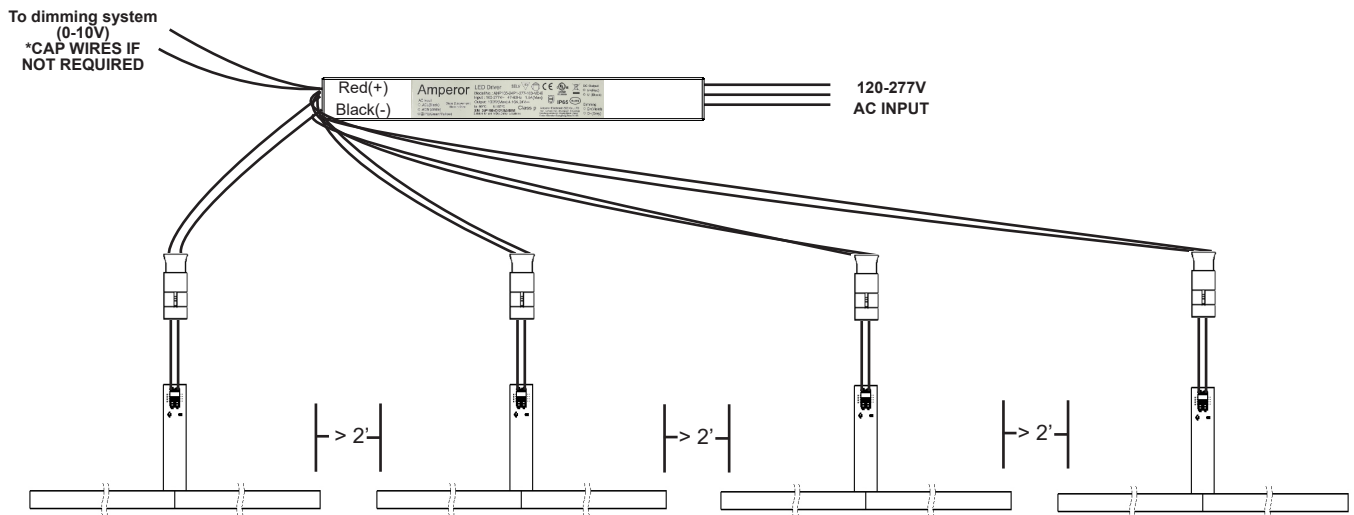
1. Remove the junction box cover.
2. Make wiring connections from 24V power supply to first luminaire. (Reference cable length chart below)
3. Reattach junction box cover.

*\*Recommended Cable Lengths to Minimize Voltage Drop*

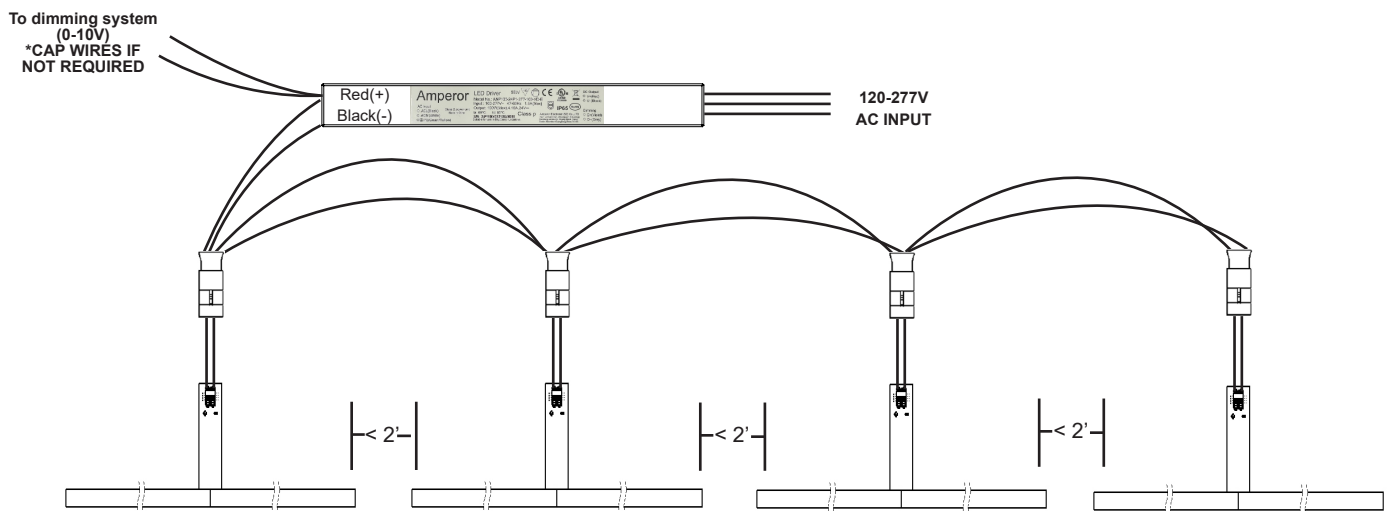
| Watts (ft) | 14.4 (2') | 28.8 (4') | 43.2 (6') | 57.6 (8') | 72 (10') | 86.4 (12') |
|------------|-----------|-----------|-----------|-----------|----------|------------|
| 18 AWG     | 64 ft     | 32 ft     | 21 ft     | 16 ft     | 13 ft    | 11 ft      |
| 16 AWG     | 102 ft    | 51 ft     | 34 ft     | 25 ft     | 20 ft    | 17 ft      |
| 14 AWG     | 161 ft    | 81 ft     | 54 ft     | 40 ft     | 32 ft    | 27 ft      |
| 12 AWG     | 257 ft    | 129 ft    | 86 ft     | 64 ft     | 51 ft    | 43 ft      |

AL2-1.0-SC/ES-xx-xx-xx = 7.2 Watts/ft

## Wiring Example #1: Airelight Linear2 1.0s spaced apart (greater than 2' end to end)



## Wiring Example #2: Airelight Linear2 1.0s mounted end to end (less than 2' end to end)





**Airelight Pre Install Wiring Notes**

- Airelight Linear luminaires should only be connected to 24V Class II drivers. Use of any other power source will cause damage and may void the warranty.
- Only use 18 AWG stranded wire to connect directly to each luminaire. If larger gauge is used for cable drop, reduce to 18 AWG to each luminaire. Never use solid core wire when connecting to a luminaire.
- Goldeneye will not be held responsible if the luminaires are not installed according to applicable codes and safety standards.

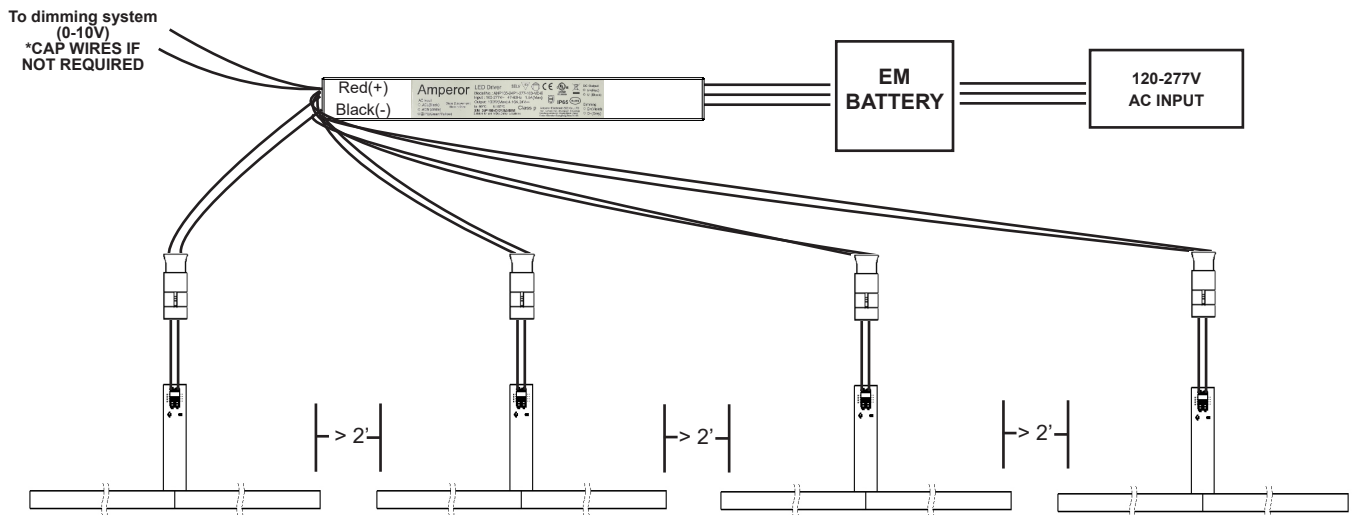
1. Remove the junction box cover.
2. Make wiring connections from 24V power supply to first luminaire. (Reference cable length chart below)
3. Reattach junction box cover.

*\*Recommended Cable Lengths to Minimize Voltage Drop*

| Watts (ft) | 14.4 (2') | 28.8 (4') | 43.2 (6') | 57.6 (8') | 72 (10')        | 86.4 (12') |
|------------|-----------|-----------|-----------|-----------|-----------------|------------|
| 18 AWG     | 64 ft     | 32 ft     | 21 ft     | 16 ft     | 13 ft           | 11 ft      |
| 16 AWG     | 102 ft    | 51 ft     | 34 ft     | 25 ft     | 20 ft           | 17 ft      |
| 14 AWG     | 161 ft    | 81 ft     | 54 ft     | 40 ft     | 32 ft <td 27 ft |            |
| 12 AWG     | 257 ft    | 129 ft    | 86 ft     | 64 ft     | 51 ft           | 43 ft      |

AL2-1.0-SC/ES-xx-xx-xx = 7.2 Watts/ft

**Wiring Example #3: EM BATTERY (Airelight Linear2 1.0s spaced apart (greater than 2' end to end))**



**Wiring Example #4: EM BATTERY (Airelight Linear2 1.0s mounted end to end (less than 2' end to end))**

