



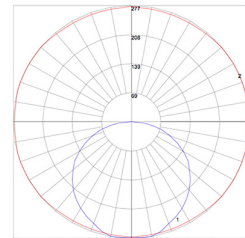
Description: The Airelight Linear2 ES 0.5 adds enhanced "pixel free" optics to its environmentally sustainable (No Plastics) design. Constructed of earth conscious materials with an ultra-slim/light weight profile, Airelight Linear2 luminaires provide ultimate flexibility for all environmentally friendly lighting projects. The Airelight Linear2 ES 0.5 is ideal for suspended, surface mounted, embedded, and under cabinet lighting applications (See "Mounting Options" on following page).

The output Airelight luminaires provide are completely lambertian, which assures even distribution of light over large and small areas. Airelight LED Ceramic Luminaires are 100% recyclable, made with only sustainable, non-toxic "Red List Free" components. Their compact minimalist design reduces "end-of-life" waste.

SPECIFICATIONS

Color Temperature	4000K, 3500K, 3000K, 2700K
Beam Angle	Lambertian
Max Fixture Run Length	18' with 24VDC 100W Power Supply; Unlimited with Additional Power Supplies or POE Channels
Power Consumption	5.3W per foot
Lumens Per Foot	424 @ 4000K / 414 @ 3500K / 402 @ 3000K / 377 @ 2700K
Efficacy (lms/W)	88 @ 4000K / 86 @ 3500K / 84 @ 3000K / 80 @ 2700K
CRI	90+
Available Lengths	24"

Interconnect/Cabling	SMT Connector/ 2CONN Wire-18AWG (included w/specified fixture run lengths)
Operating Temperature	-10°F to 115°F / -23°C to 46°C
Operating Voltage	24VDC
Dimming	1-100% via Compatible Low Voltage PWM or 0-10V
Rating	Dry/Damp Rated
Warranty	5 Years
Weight	1.0oz/ft (98g/m)
Dimensions	W .6" x H 0.35" x L 24".

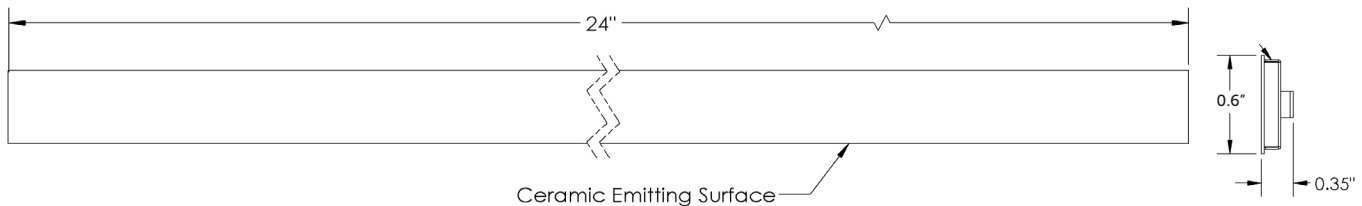


Photometric Data:
*Perfectly lambertian output

Certifications







ORDER CODES

Product Line	Width	Model	Length	CCT	CRI
AL2	- 0.5	- ES	- 24	- 40K	- 90+
Airelight™ Linear2	0.5"	ES	24"	27K	90+
			16"	30K	
			12"	35K	
			8"	40K	

POWER SUPPLY SELECTION

Airelight luminaires require an external DC power supply for operation. Identify total system wattage needed. Order the type and quantity of Class 2, 24VDC Power Supply(s) that meets your requirement.

Power Supply Calculation
 Linear Feet Required x Power Consumption (5.3W) =
 Total System Wattage

e.g. : 10ft x 5.3W = 53W (See Table A)

POWER SUPPLY COMPATIBILITY FOR AIRELIGHT™ SYSTEM

Total System Wattage	Compatible Power Supply
< 60W	SKU# 62569
< 100W	SKU# 97422
<200W	SKU# 84035

Table A

POWER SUPPLIES

SKU#	Description
84035	Amperor 2X 100W, 24V, 0-10V Dimmable, Class 2, LED Driver
97422	Amperor 100W, 24V, 0-10V Dimmable, Class 2, LED Driver
62569	Amperor 60W, 24V, 0-10V Dimmable, Class 2, LED Driver
59967	Amperor 5W, APP-5WL, Emergency LED Driver
58917	Amperor 10.7W, APP-10.7WL, Emergency LED Driver

CONTROLS (COMPATIBLE WITH MOST LIGHTING CONTROL SYSTEMS VIA 0-10V)

38389	Illumra Wireless Dimmer 20A #E9X-DUV-10VTP	25251	Illumra Dual Rocker Switch #E9T-S2AWH
35129	Illumra Wireless Dimmer 5A #E9X-DUV-10VTP-FX		
83374	Illumra Single Rocker Switch #E9T-S1AWH		

(*)Airelight® Luminaires are compatible w/most lighting control systems from Lutron, Hubbel, etc. via 0-10V. For installations that require a wireless interface, the above options are available.

MOUNTING OPTIONS

Designed to maintain the Airelight luminaires' slim profile, the optional snap channel profiles serve as stylish and minimalistic housing options. The attachment clips on the Airelight ES model simply snap into the specified channel, providing a secure attachment and easy installation.

50512 / 59885	Snap Channel (Airelight Linear2 ES 0.5) Black: 4 / 6ft
30231 / 74552	Snap Channel (Airelight Linear2 ES 0.5) Light Grey: 4 / 6ft
19390	Snap Channel (Airelight Linear2 ES 0.5) White/Custom: 6ft
56980	Mud-In Channel (Airelight Linear2 ES 0.5) Light Grey: 6ft
94413	End Cap (Snap Channel Airelight Linear2 ES 0.5) Qty: 2: Anodized Aluminum
67667	Mounting Plate(2): For embedding to non-magnetic surface

AIRELIGHT® LINEAR2 ES 0.5 INSTALLATION INSTRUCTIONS



Airelight® Pre Install Wiring Notes

- Airelight Linear luminaires should only be connected to 24V Class II drivers. Use of any other power source will cause damage and may void the warranty.
- Goldeneye® will not be held responsible if the luminaires are not installed according to applicable codes and safety standards.
- **Only use 18 AWG stranded wire to connect directly to each luminaire. If larger gauge is used for cable drop, reduce to 18 AWG to each luminaire. Never use solid core wire when connecting to a luminaire.**

Airelight Wiring to Driver

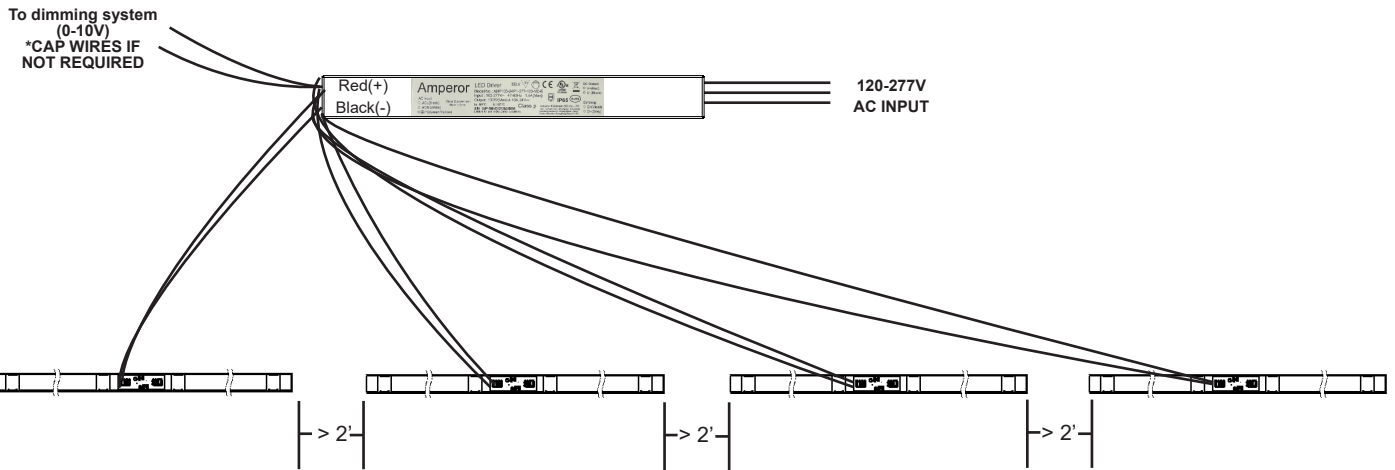
1. Remove the driver cover.
2. Make wiring connections from 24V Class II driver to first luminaire. (Reference cable length chart below)
3. Reattach driver box cover.

**Recommended Cable Lengths to Minimize Voltage Drop*

Watts (ft)	10.6 (2')	21.2 (4')	31.8 (6')	42.4 (8')	53 (10')	63.6 (12')	74.2 (14')	84.8 (16')	95.4 (18')
18 AWG	87 ft	43 ft	29 ft	22 ft	17 ft	14 ft	12 ft	11 ft	10 ft
16 AWG	138 ft	69 ft	46 ft	35 ft	28 ft	23 ft	20 ft	17 ft	15 ft
14 AWG	219 ft	110 ft	73 ft	55 ft	44 ft	37 ft	31 ft	27 ft	24 ft
12 AWG	349 ft	175 ft	116 ft	87 ft	70 ft	58 ft	50 ft	44 ft	39 ft

AL-0.5-SC/ES-xx-xx-xx = 5.3 Watts/ft

Wiring Example #1: Airelight Linear2 0.5s spaced apart (greater than 2' end to end)



Wiring Example #2: Airelight Linear2 0.5s mounted end to end (less than 2' end to end)

